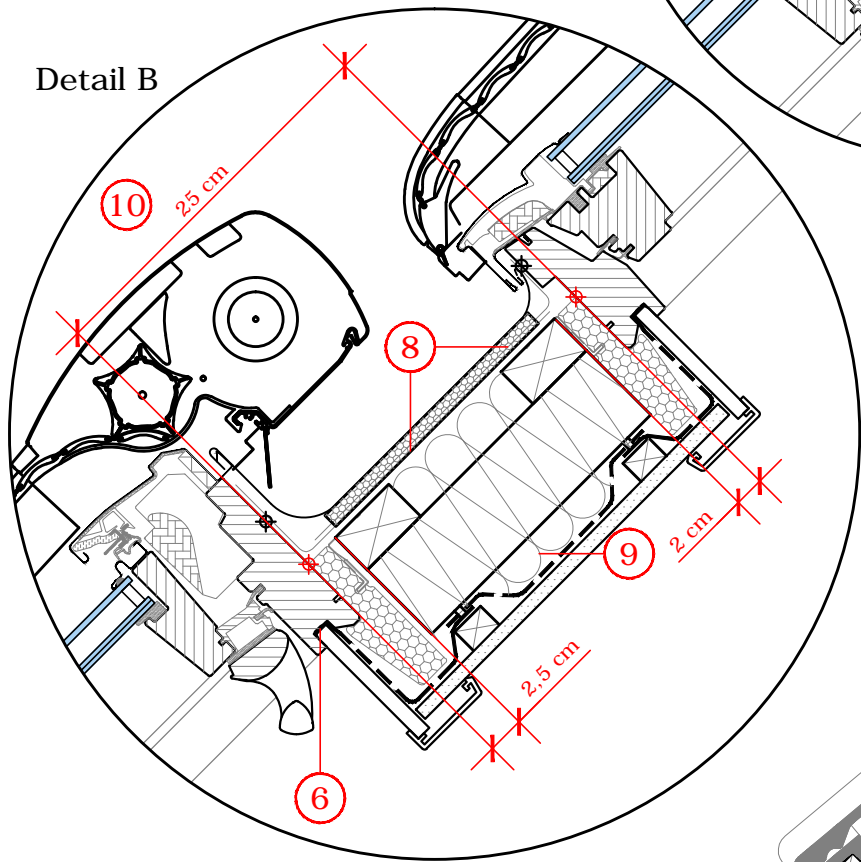
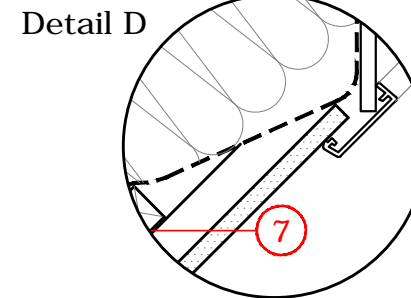
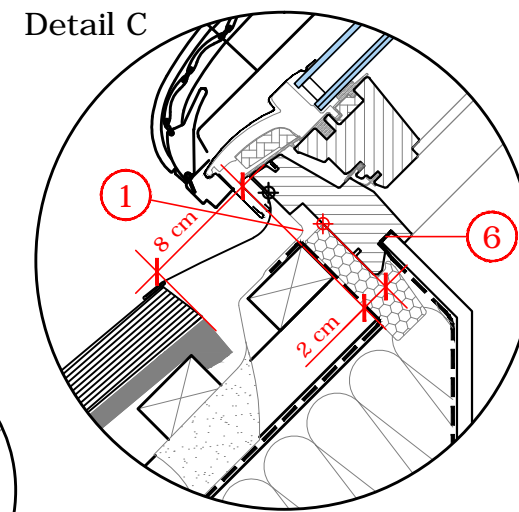
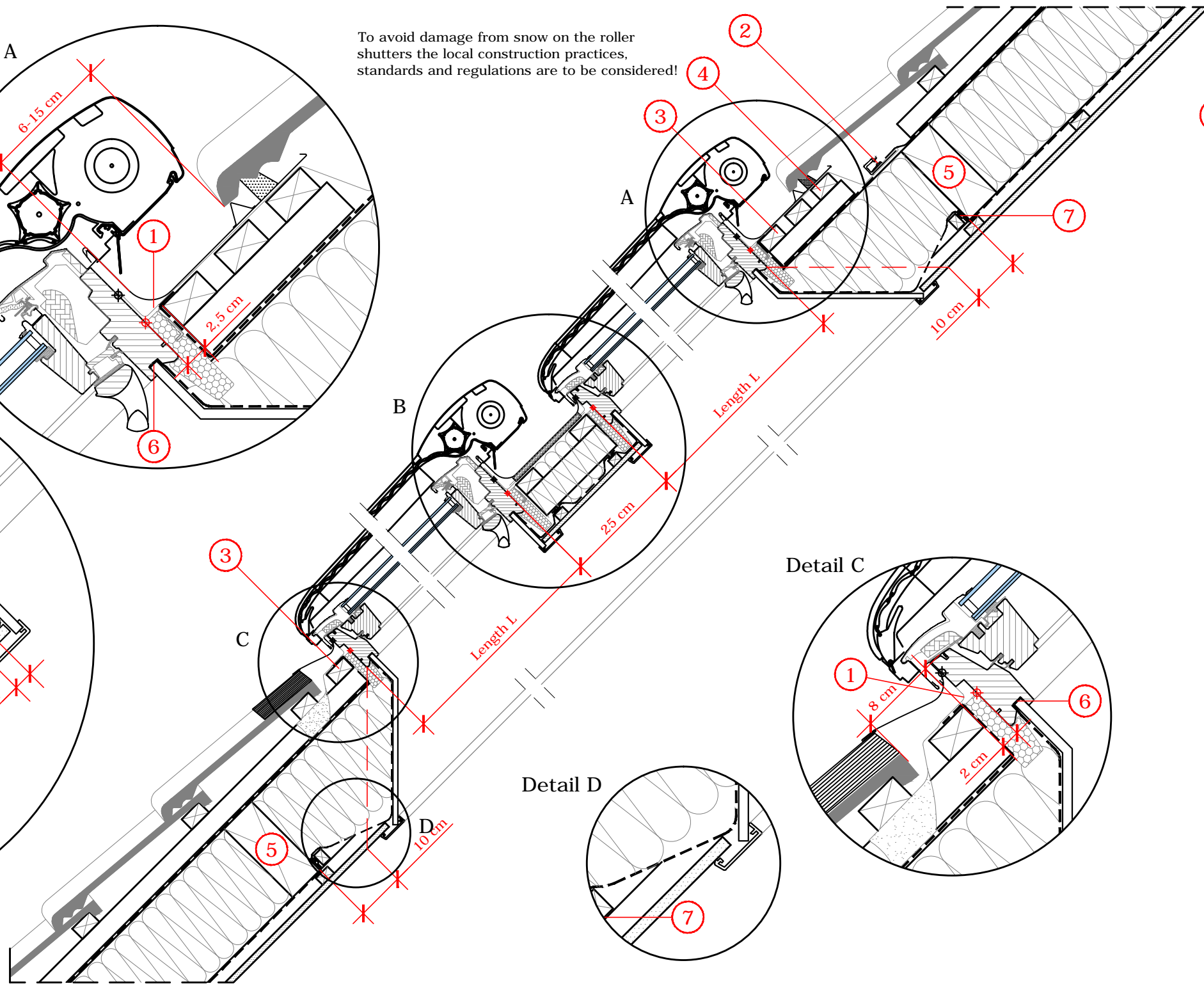


To avoid damage from snow on the roller shutters the local construction practices, standards and regulations are to be considered!



Section A - A

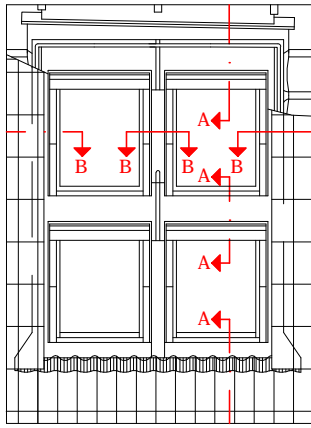


Windows sizes, outer dimensions in cm

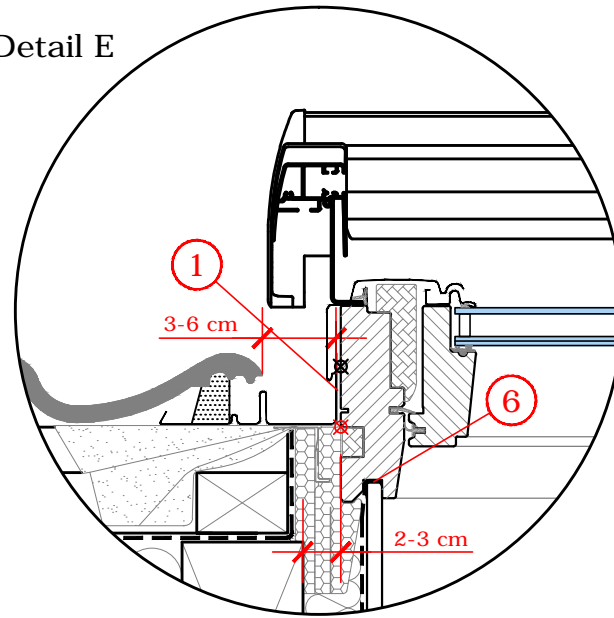
GGL_70	B x L
CK02	55 x 78
CK04	55 x 98
CK06	55 x 118
FK04	66 x 98
FK06	66 x 118
FK08	66 x 140
MK04	78 x 98
MK06	78 x 118
MK08	78 x 140
MK10	78 x 160
PK06	94 x 118
PK08	94 x 140
PK10	94 x 160
SK06	114 x 118
SK08	114 x 140
SK10	114 x 160
UK04	134 x 98
UK08	134 x 140
UK10	134 x 160

- After mounting the insulation frame and the window, attach the enclosed underfelt collar.
 - The underfelt collar and the water drainage gutter are to be pressed under the notched roof felt underlay.
 - Mounting batten for window and flashing support.
 - Auxiliary batten for support of the flashing top part.
 - If replacement is necessary, maintain a safety distance of 10 cm as per drawing.
 - The vapor barrier collar is to be fixed in the window rebate according VELUX installation instructions.
 - The roof vapor barrier and the VELUX vapor barrier BBX are to be connected properly along the whole perimeter, for example with taped joints (VELUX BBX tape) and a fixing batten.
 - Adjust the side parts of the underfelt collar when installing several windows in a combination.
 - The construction between the single inner lining elements is to be developed on site (non VELUX product)
 - When installing roller shutters always keep 25cm distance between windows frames above one another.
 - Possible roof pitch for the presented installation type: **from 20° to 90°**.
- These are non-binding installation proposals, VELUX does not provide design and planning services and assumes no warranty in this relation.

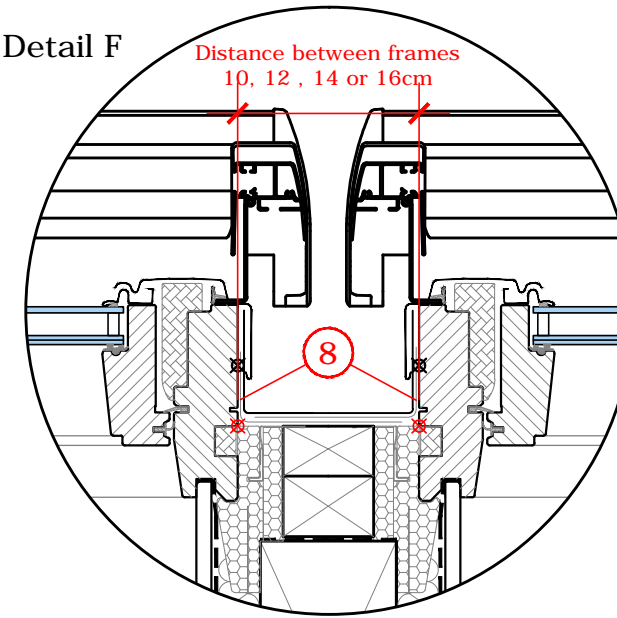
WINDOW TYPE	VELUX INTEGRA electrically operated roof window GGL, 70 pane, combination of 4 windows next and above each other			
INSTALLATION PRODUCTS	BDX Insulation frame with underfelt collar, water drainage gutter and BBX vapour barrier collar			
FLASHING	Combi flashing EKZ for flat and profiled roof coverings from 1.5cm to 4.5cm height			
INTERIOR LINING	4 x VELUX inner lining LSB for 30cm roof thickness, VELUX INTEGRA electrically operated roller shutters			
ROOF CONSTRUCTION	45° Rafter roof or purlin roof, fully insulated roof with roof underlay, vapour barrier inside, inner sheathing and interior lining			
ROOF COVERING	Tiles			
FORMAT DIN A3	M 1: 10/1:5	16.08.2018	Sheet 1 of 2	Detail Nr. 210ENG



Detail E

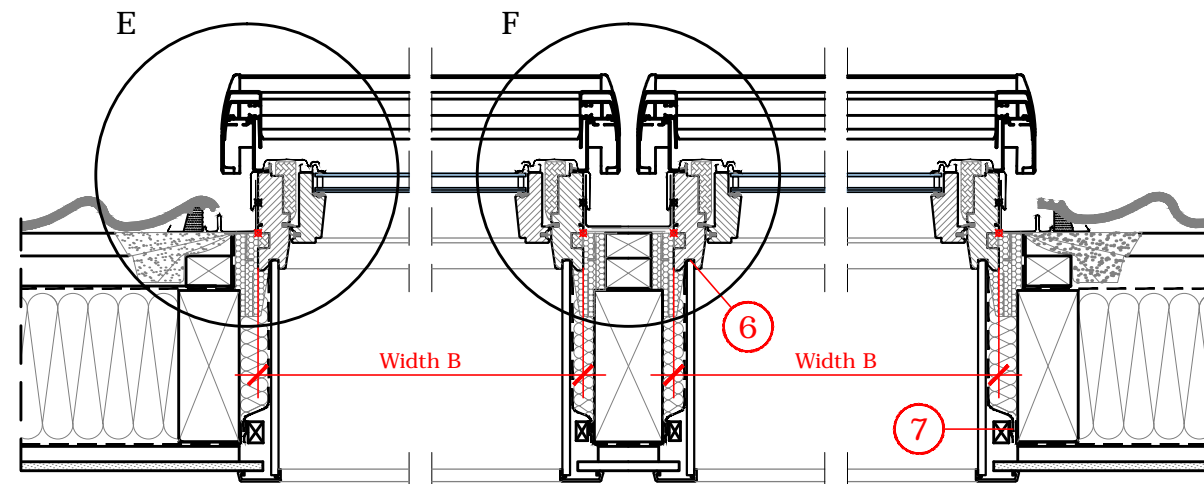


Detail F



Windows sizes, outer dimensions in cm

GGL_70	B x L
CK02	55 x 78
CK04	55 x 98
CK06	55 x 118
FK04	66 x 98
FK06	66 x 118
FK08	66 x 140
MK04	78 x 98
MK06	78 x 118
MK08	78 x 140
MK10	78 x 160
PK06	94 x 118
PK08	94 x 140
PK10	94 x 160
SK06	114 x 118
SK08	114 x 140
SK10	114 x 160
UK04	134 x 98
UK08	134 x 140
UK10	134 x 160



Section B - B

- After mounting the insulation frame and the window, attach the enclosed underfelt collar.
- The underfelt collar and the water drainage gutter are to be pressed under the notched roof felt underlay.
- Mounting batten for window and flashing support.
- Auxiliary batten for support of the flashing top part.
- If replacement is necessary, maintain a safety distance of 10 cm as per drawing.
- The vapor barrier collar is to be fixed in the window rebate according VELUX installation instructions.
- The roof vapor barrier and the VELUX vapor barrier BBX are to be connected properly along the whole perimeter, for example with taped joints (VELUX BBX tape) and a fixing batten.
- Adjust the side parts of the underfelt collar when installing several windows in a combination.
- The construction between the single inner lining elements is to be developed on site (non VELUX product)
- When installing roller shutters always keep 25cm distance between windows frames above one another.
- Possible roof pitch for the presented installation type: **from 20° to 90°**.

These are non-binding installation proposals, VELUX does not provide design and planning services and assumes no warranty in this relation.

WINDOW TYPE	VELUX INTEGRA electrically operated roof window GGL, 70 pane, combination of 4 windows next and above each other			
INSTALLATION PRODUCTS	BDX Insulation frame with underfelt collar, water drainage gutter and BBX vapour barrier collar			
FLASHING	Combi flashing EKZ for flat and profiled roof coverings from 1.5cm to 4.5cm height			
INTERIOR LINING	4 x VELUX inner lining LSB for 30cm roof thickness, VELUX INTEGRA electrically operated roller shutters			
ROOF CONSTRUCTION	45° Rafter roof or purlin roof, fully insulated roof with roof underlay, vapour barrier inside, inner sheathing and interior lining			
ROOF COVERING	Tiles			
FORMAT DIN A3	M 1: 10/1:5	16.08.2018	Sheet 2 of 2	Detail Nr. 210ENG