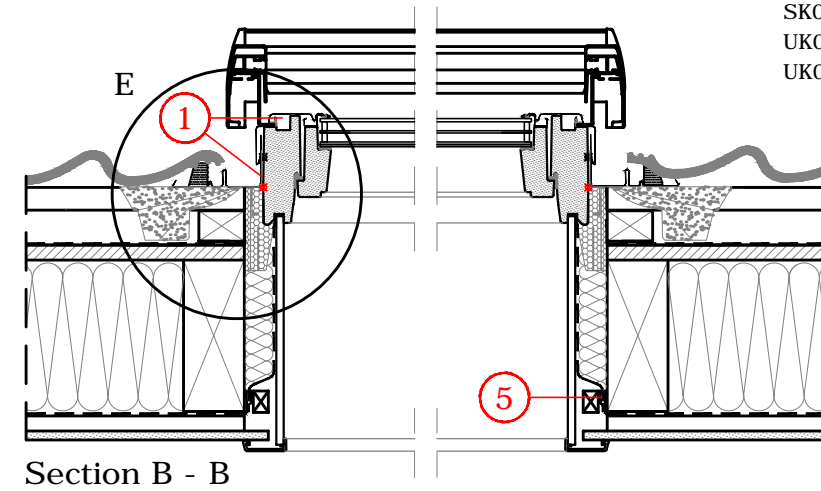
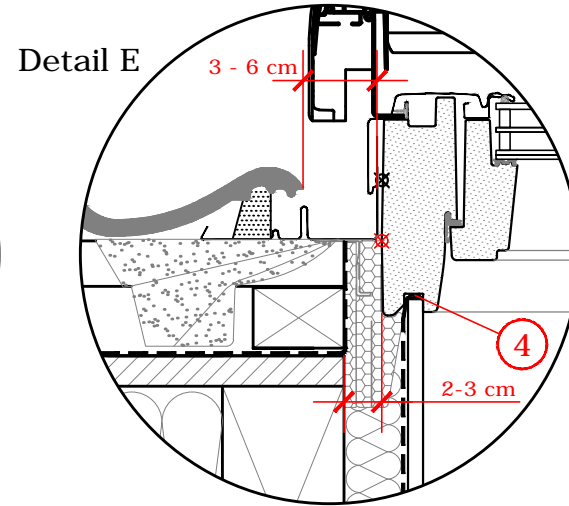
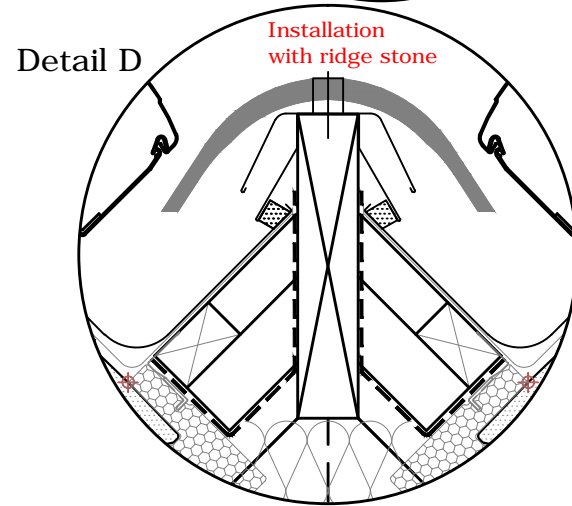
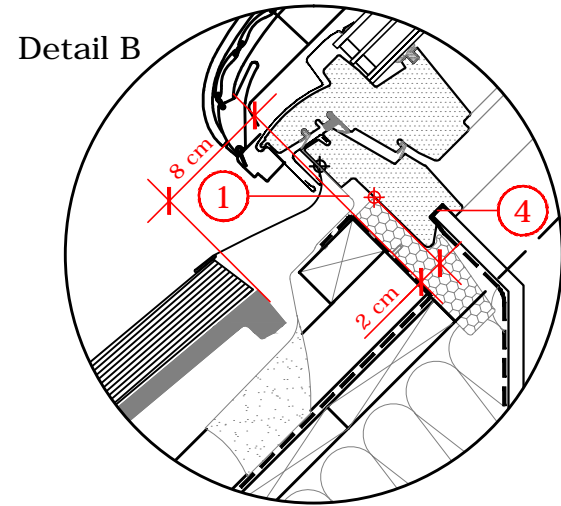


Windows sizes, outer dimensions in cm

GGU_66	B x L
CK02	55 x 78
CK04	55 x 98
CK06	55 x 118
FK04	66 x 98
FK06	66 x 118
FK08	66 x 140
MK04	78 x 98
MK06	78 x 118
MK08	78 x 140
MK10	78 x 160
PK06	94 x 118
PK08	94 x 140
PK10	94 x 160
SK06	114 x 118
SK08	114 x 140
UK04	134 x 98
UK08	134 x 140

Section A - A



Section B - B

1. After mounting the insulation frame and the window, attach the enclosed underfelt collar.
2. Mounting batten for window and flashing support.
3. If replacement is necessary, maintain a safety distance of 10 cm as per drawing.
4. The vapor barrier collar is to be fixed in the window rebate according VELUX installation instructions.
5. The roof vapor barrier and the VELUX vapor barrier BBX are to be connected properly

6. For further information regarding VELUX ridge capping, please contact your local VELUX company.
7. Possible roof pitch for the presented installation type: from 15° to 55°.
8. When using the ridge capping the top part of the insulation frame, the VELUX insulation collar and the VELUX vapour collar must be adjusted. The inner lining in

9. the ridge area must be constructed onsite (no VELUX product).  
Ridge with ridge tile: The top part of the EKX ridge flashing part and the installation batten are not to be used. The ridge tile is to be mounted according producer details, for example to the ridge batten with a clip.

These are non-binding installation proposals, VELUX does not provide design and planning services and assumes no warranty in this relation.

WINDOW TYPE	VELUX GGU, glazing 66, Passive House suitable			
INSTALLATION PRODUCTS	BDX Insulation frame with underfelt collar and BBX vapour barrier collar			
FLASHING	EDZ low profile tile flashing, tiles profile of 15mm - 45mm, EKX ridge capping			
INTERIOR LINING	VELUX GGU, glazing 66, Passive House suitable			
ROOF CONSTRUCTION	VELUX GGU, glazing 66, Passive House suitable			
ROOF COVERING	VELUX GGU, glazing 66, Passive House suitable			
FORMAT A3	M 1: 10/1:5	08.08.2018	Sheet 1 of 1	Detail Nr. 212ENG