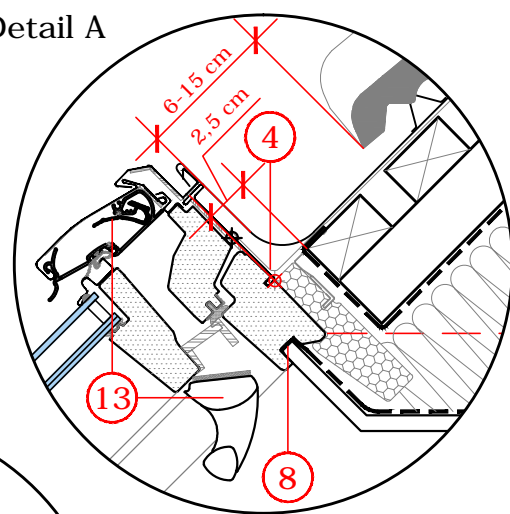
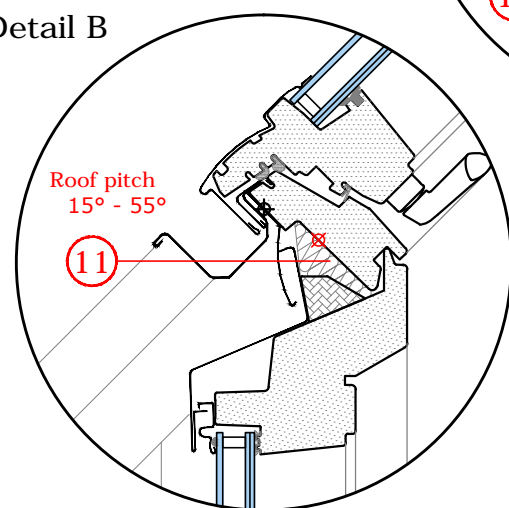


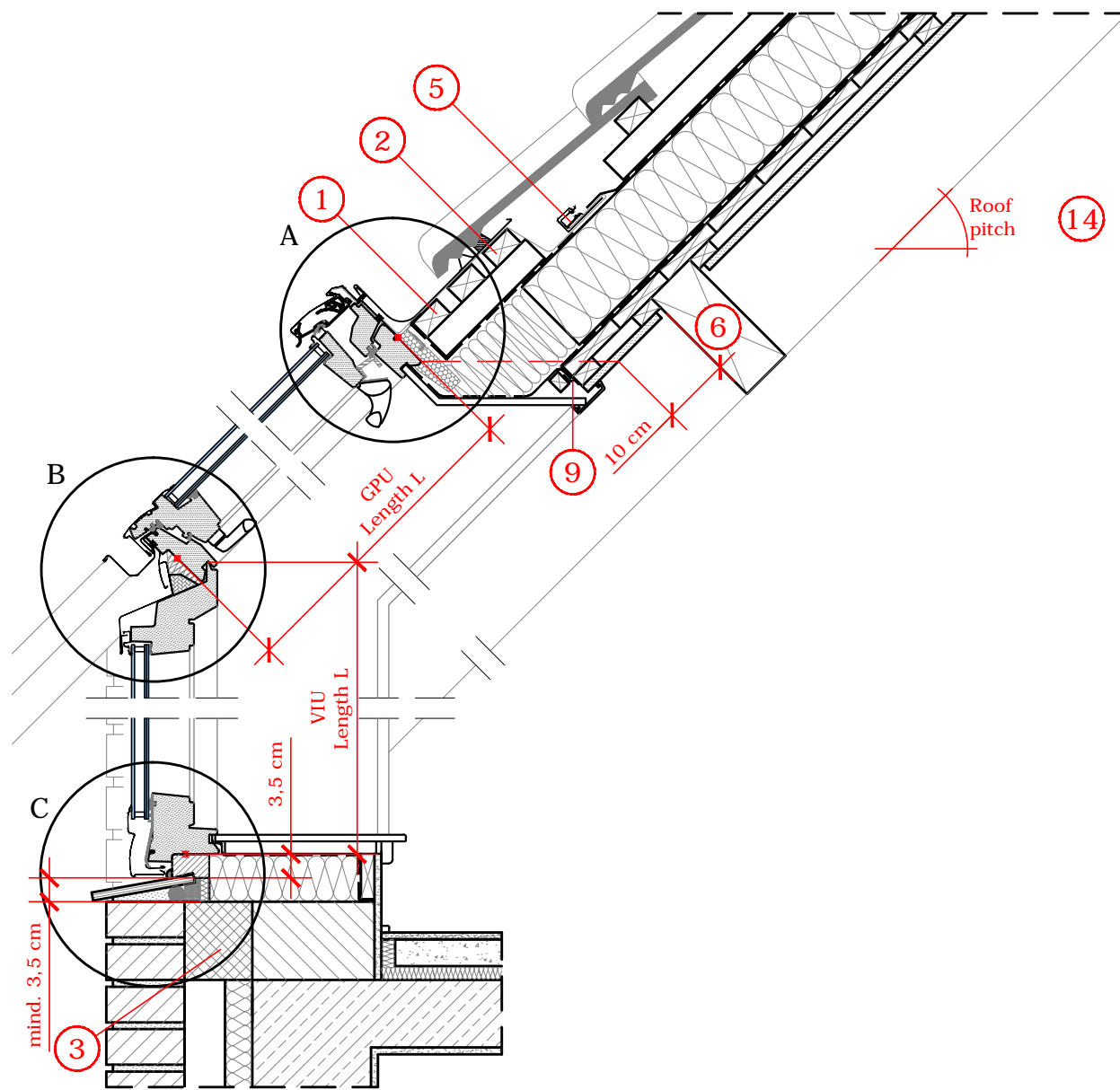
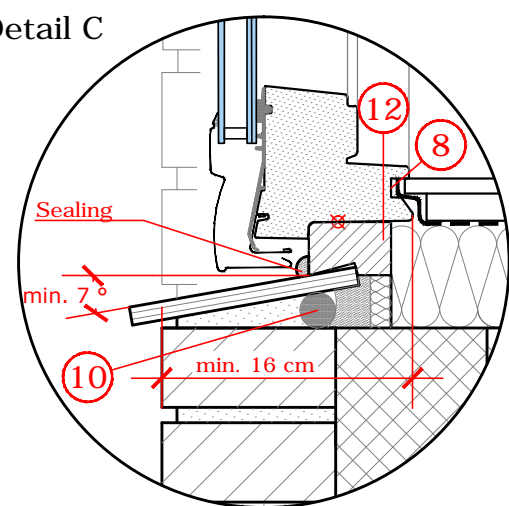
Detail A



Detail B



Detail C



GPU-VIU Section A - A

Windows sizes, outer dimensions in cm

GPU_70	B x L
MK04	78 x 98
MK06	78 x 118
MK08	78 x 140
MK10	78 x 160
PK06	94 x 118
PK08	94 x 140
PK10	94 x 160
SK06	114 x 118
SK08	114 x 140
SK10	114 x 160
UK08	134 x 140

VIU_70	B x L
MK31	78 x 60
MK35	78 x 95
MK36	78 x 115
MK38	78 x 137
PK31	94 x 60
PK35	94 x 95
PK36	94 x 115
PK38	94 x 137
SK31	114 x 60
SK35	114 x 95
SK36	114 x 115
SK38	114 x 137
UK31	134 x 60
UK35	134 x 95
UK36	134 x 115
UK38	134 x 137

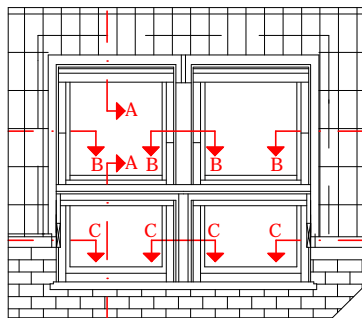
1. Mounting batten for window and flashing support.
2. Auxiliary batten for support of the flashing top part.
3. Compression-proof insulation under and sidewise the VIU.
4. After mounting the insulation frame and the window, attach the enclosed underfelt collar.
5. The underfelt collar and the water drainage gutter are to be pressed under the notched roof felt underlay.
6. If replacement is necessary, maintain a safety distance of 10 cm as per drawing.
7. Adjust the side parts of the underfelt collar when installing several windows in a combination.
8. The vapor barrier collar is to be fixed in the window rebate according VELUX installation instructions.

9. The roof vapor barrier and the VELUX vapor barrier BBX are to be connected properly along the whole perimeter, for example with taped joints (VELUX BBX tape) and a fixing batten.
10. Connection to be done according "(RAL) Guideline for installation of windows and external pedestrian doors (Montageleitfaden)".
11. Combinations with VIU are possible to install only without the BDX-bottom part. The BDX-side parts must be adjusted accordingly. Thermal insulation for the transition space between vertical windows is to be provided on site (non-VELUX product).
12. Mounting bar is included in the window's purchased parts package.

13. Self-regulating ventilation flap VELUX balanced ventilation for user-independent minimum room air exchange rate (DIN 1946-6). Open the ventilation flap in first position to activate.
14. Zugelassener Dachneigungsbereich für die dargestellte Einbausituation: 15 ° bis 55 °.

These are non-binding installation proposals, VELUX does not provide design and planning services and assumes no warranty in this relation.

Window type	VELUX GPU with balanced ventilation ZZZ 214K with extend VIU "wall", glazing 70			
Installation products	BDX Insulation frame with underfelt collar, water drainage gutter and a BBX vapour barrier for the GPU window			
Flashing	EFW flashing for flat or profiled roofing material from 15mm up to 120mm in profile and VELUX combinations with vertical elements.			
Interior lining	VELUX Interior lining 2 x LSB for roof thickness of 300cm and 2 x LVI supplementary lining for vertical installations			
Roof construction	45° Rafter roof or purlin roof, insulation over rafters with roof underlay, vapour barrier inside, inner sheathing and interior lining			
Roof covering	Tiles			
Format DIN A3	M 1:10/1:5	30.07.2018	Sheet 1 of 2	Detail Nr. 232ENG

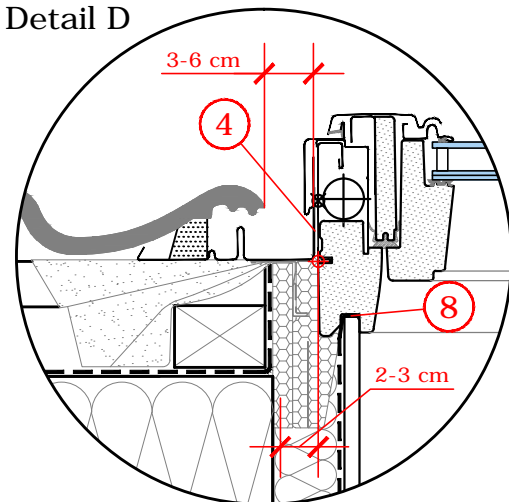


Fenstergrößen
Blendrahmen-Außenmaße in cm

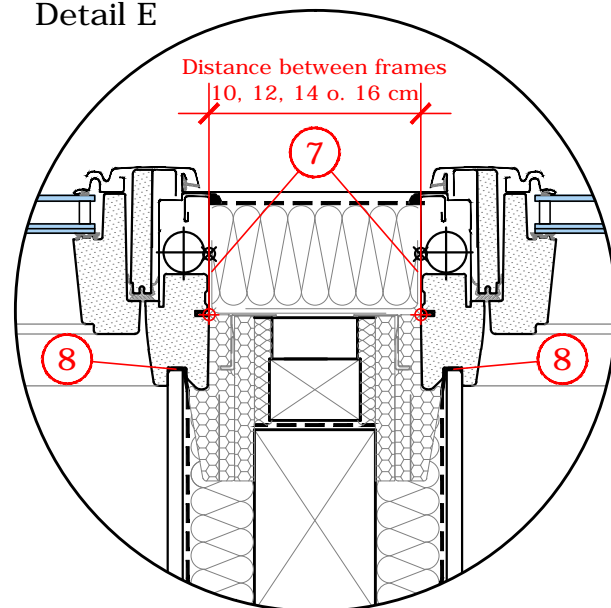
GPU_70	B x L
MK04	78 x 98
MK06	78 x 118
MK08	78 x 140
MK10	78 x 160
PK06	94 x 118
PK08	94 x 140
PK10	94 x 160
SK06	114 x 118
SK08	114 x 140
SK10	114 x 160
UK08	134 x 140

VIU_70	B x L
MK31	78 x 60
MK35	78 x 95
MK36	78 x 115
MK38	78 x 137
PK31	94 x 60
PK35	94 x 95
PK36	94 x 115
PK38	94 x 137
SK31	114 x 60
SK35	114 x 95
SK36	114 x 115
SK38	114 x 137
UK31	134 x 60
UK35	134 x 95
UK36	134 x 115
UK38	134 x 137

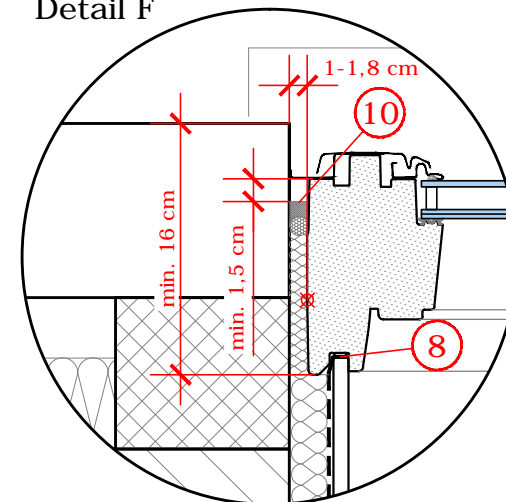
Detail D



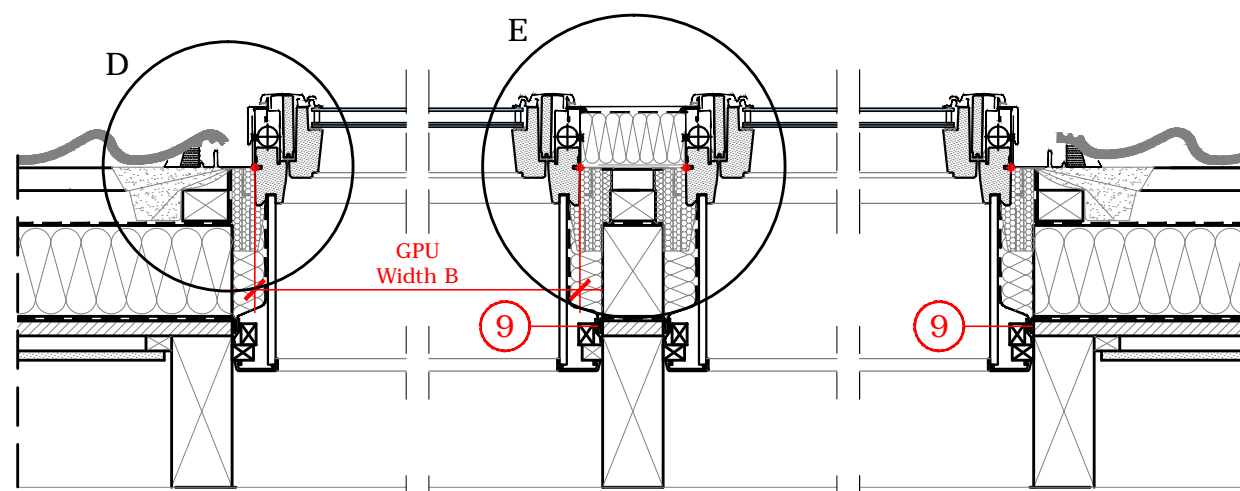
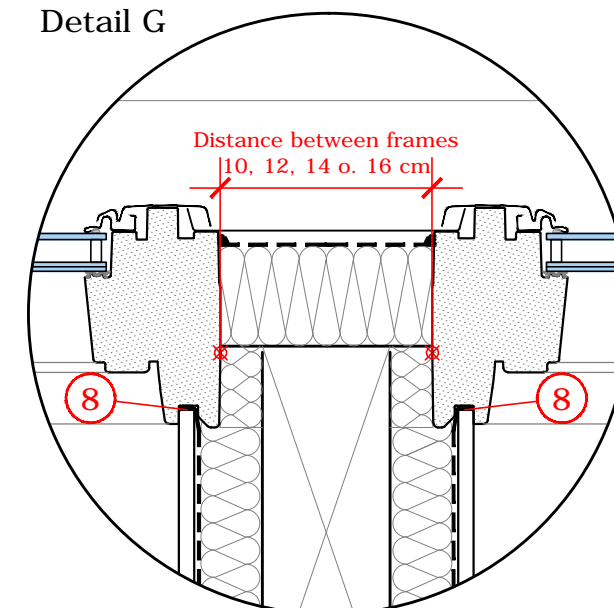
Detail E



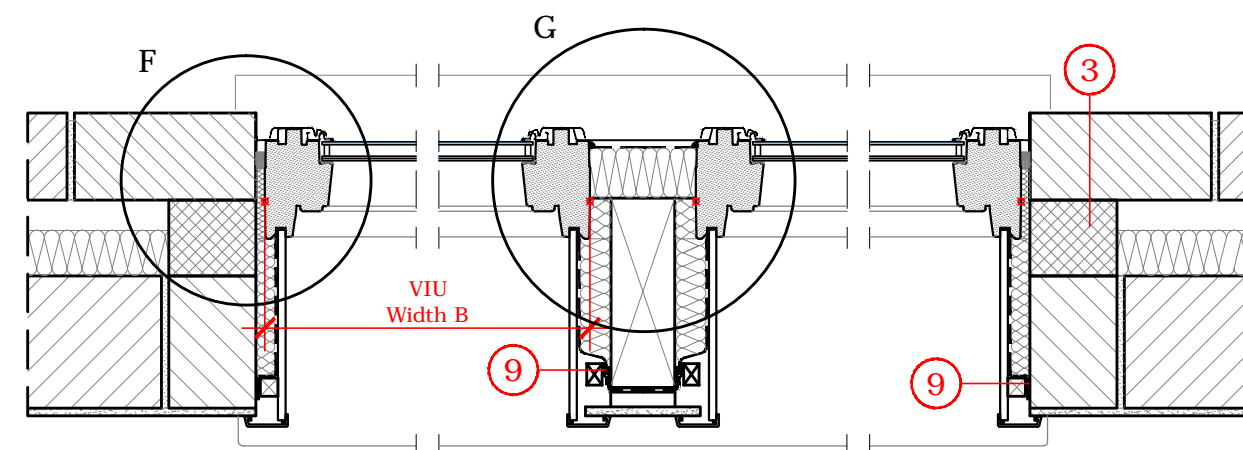
Detail F



Detail G



GPU Section B - B



VIU Section C - C

- Mounting batten for window and flashing support.
- Auxiliary batten for support of the flashing top part.
- Compression-proof insulation under and sideways the VIU.
- After mounting the insulation frame and the window, attach the enclosed underfelt collar.
- The underfelt collar and the water drainage gutter are to be pressed under the notched roof felt underlay.
- If replacement is necessary, maintain a safety distance of 10 cm as per drawing.
- Adjust the side parts of the underfelt collar when installing several windows in a combination.
- The vapor barrier collar is to be fixed in the window rebate according VELUX installation instructions.
- The roof vapor barrier and the VELUX vapor barrier BBX are to be connected properly along the whole perimeter, for example with taped joints (VELUX BBX tape) and a fixing batten.
- Connection to be done according "(RAL) Guideline for installation of windows and external pedestrian doors (Montageleitfaden)".
- Combinations with VIU are possible to install only without the BDX-bottom part. The BDX-side parts must be adjusted accordingly. Thermal insulation for the transition space between vertical windows is to be provided on site (non-VELUX product).
- Mounting bar is included in the window's purchased parts package.
- Self-regulating ventilation flap VELUX balanced ventilation for user-independent minimum room air exchange rate (DIN 1946-6). Open the ventilation flap in first position to activate.
- Zugelassener Dachneigungsbereich für die dargestellte Einbausituation: 15 ° bis 55 °.

These are non-binding installation proposals, VELUX does not provide design and planning services and assumes no warranty in this relation.

Window type	VELUX GPU with balanced ventilation ZZZ 214K with extend VIU "wall", glazing 70			
Installation products	BDX Insulation frame with underfelt collar, water drainage gutter and a BBX vapour barrier collar for the GPU window			
Flashing	EFW flashing for flat or profiled roofing material from 15mm up to 120mm in profile and VELUX combinations with vertical elements.			
Interior lining	VELUX Interior lining 2 x LSB for roof thickness of 300cm and 2 x LVI supplementary lining for vertical installations			
Roof construction	45° Rafter roof or purlin roof, insulation over rafters with roof underlay, vapour barrier inside, inner sheathing and interior lining			
Roof covering	Tiles			
Format DIN A3	M 1:10/1:5	30.07.2018	Sheet 2 of 2	Detail Nr. 232ENG