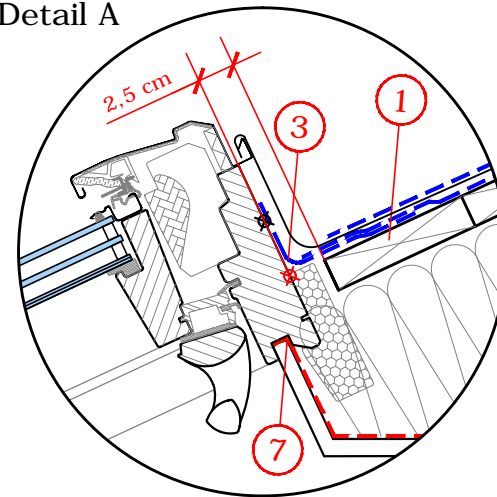
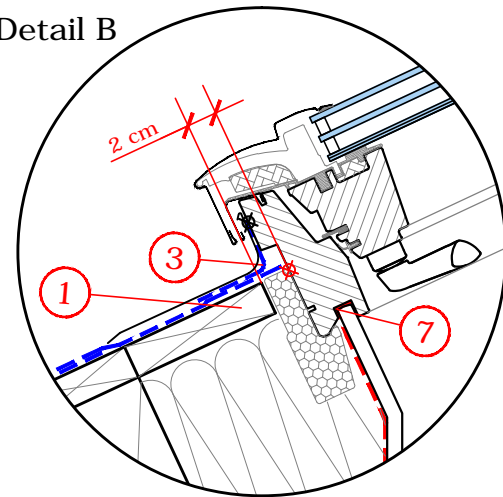


Detail A



Detail B

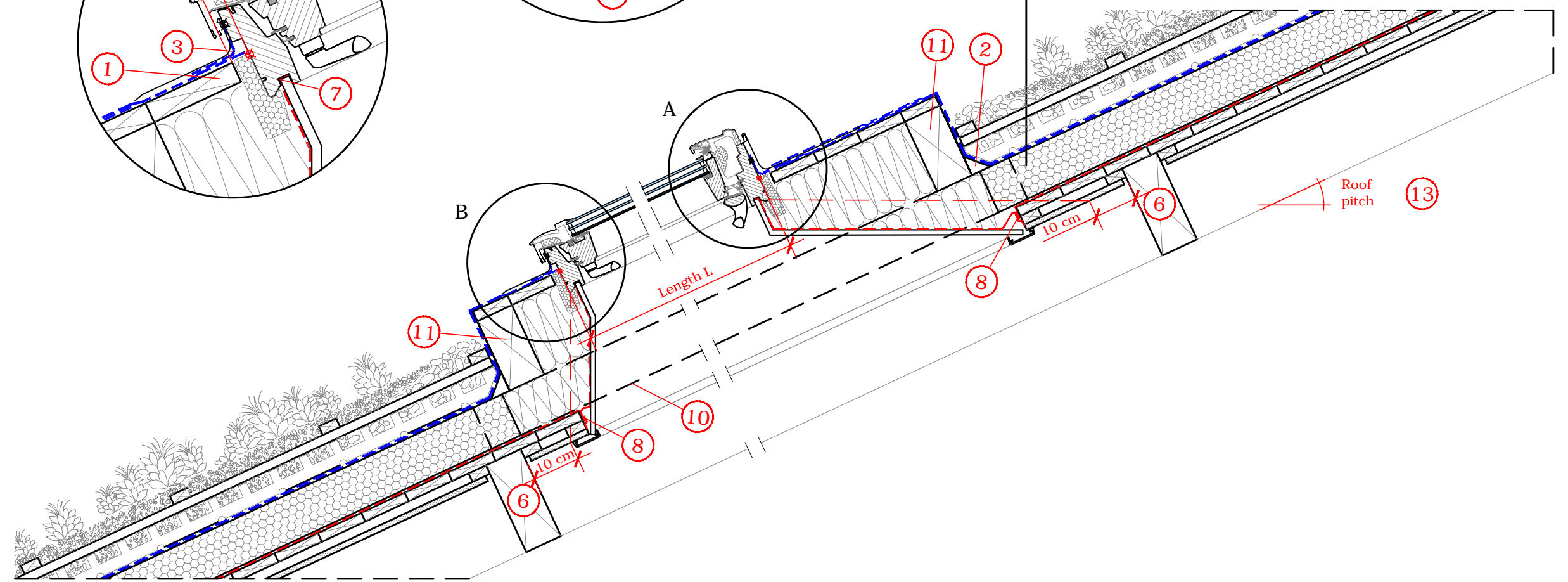


**Bauder green roof system**

- Framing gravel strip at connections with woven filter medium
- Batten raster ca. 50 x 50 cm for initial soil fastening
- Bauder water storage panel WSP 75
- Bauder protection mat F SM 600
- Bauder Plan E capping sheet, root resistance
- Bauder TEC KSA DUO bitumen underlayer
- Bauder PIR 025 FA Flatboard Insulation

**Windows sizes, outer dimensions in cm**

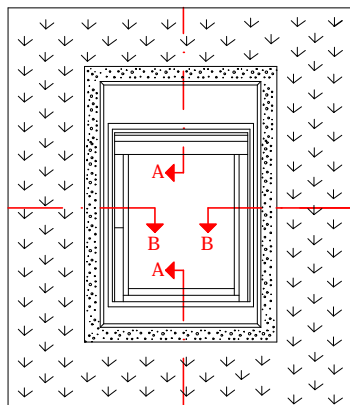
GPL_66	B x	L
CK04	55 x	98
CK06	55 x	118
FK06	66 x	118
FK08	66 x	140
MK04	78 x	98
MK06	78 x	118
MK08	78 x	140
MK10	78 x	160
PK06	94 x	118
PK08	94 x	140
PK10	94 x	160
SK06	114 x	118
SK08	114 x	140
SK10	114 x	160
UK04	134 x	98
UK08	134 x	140



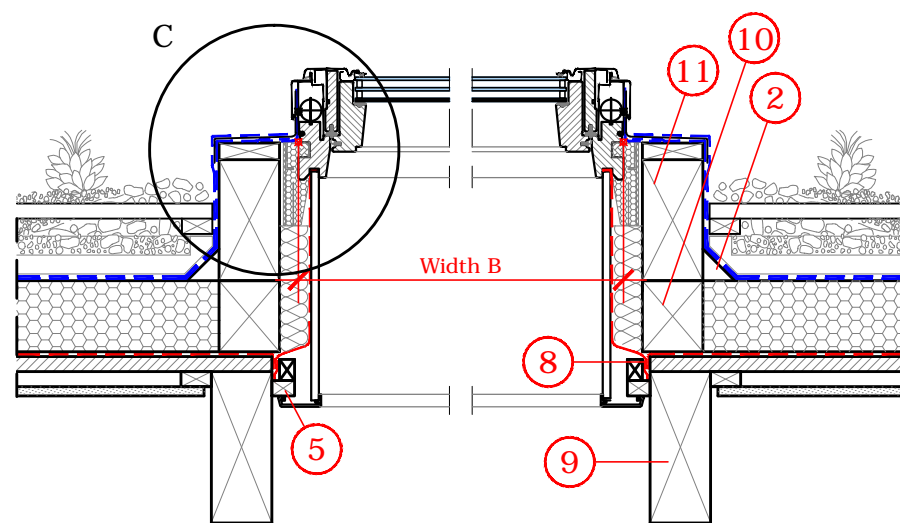
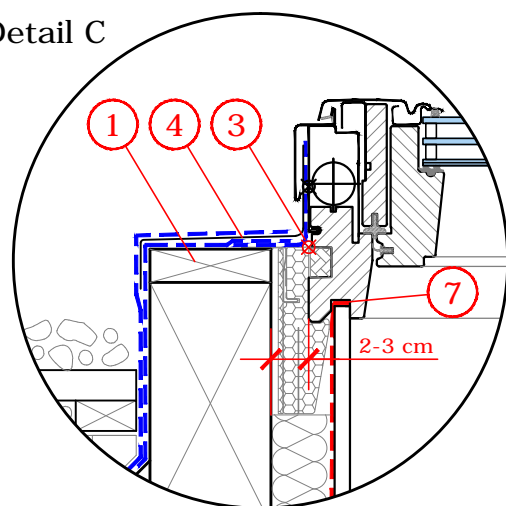
Section A - A

1. Framing mounting casing as base for the window and support of the flashing.
2. Framing triangular fillet.
3. After mounting the insulation frame and the window, attach the enclosed underfelt collar.
4. Recurve the side flashing.
5. For the fixing of VELUX EKY axillary rafter in a roof with insulation above rafters the trimmer must be doubled.
6. If a trimmer is necessary, a safe distance of 10cm according detail is to be kept.
7. The vapor barrier collar is to be fixed in the window rebate according VELUX installation instructions.
8. The roof vapor barrier and the VELUX vapor barrier BBX are to be connected properly along the whole perimeter, for example with taped joints (VELUX BBX tape) and a fixing batten.
9. Rafter.
10. Rafter doubling.
11. Mounting frame.
12. VELUX window.
13. Possible roof pitch for the presented installation type: **15° to 25°**  
These are non-binding installation proposals, VELUX does not provide design and planning services and assumes no warranty in this relation.

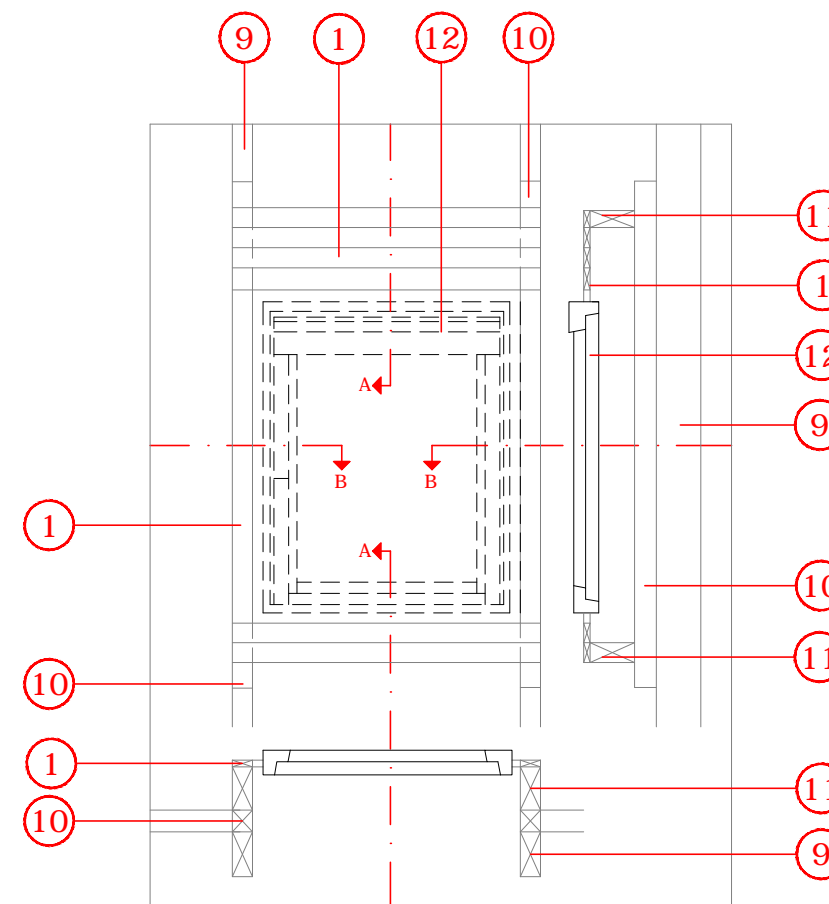
WINDOW TYPE	VELUX GPL, 66 pane			
INSTALLATION PRODUCTS	BDX Insulation frame with underfelt collar, water drainage gutter and BBX vapour barrier collar			
FLASHING	EDL flashing for use with slates up to 1.6cm (2 x 0.8cm) thickness			
INTERIOR LINING	VELUX inner lining LSC for roof thickness 40cm			
ROOF CONSTRUCTION	25° Rafter roof or purlin roof, insulation over rafters with roof underlay, vapour barrier inside, inner sheathing and interior lining			
ROOF COVERING	Extensive vegetation			
FORMAT DIN A3	M 1: 10/1:5	19.08.2018	Sheet 1 of 2	Detail Nr. 244ENG



Detail C



Section B - B



Windows sizes, outer dimensions in cm

GPL_66	B x	L
CK04	55 x	98
CK06	55 x	118
FK06	66 x	118
FK08	66 x	140
MK04	78 x	98
MK06	78 x	118
MK08	78 x	140
MK10	78 x	160
PK06	94 x	118
PK08	94 x	140
PK10	94 x	160
SK06	114 x	118
SK08	114 x	140
SK10	114 x	160
UK04	134 x	98
UK08	134 x	140

1. Framing mounting casing as base for the window and support of the flashing.
2. Framing triangular fillet.
3. After mounting the insulation frame and the window, attach the enclosed underfelt collar.
4. Recurve the side flashing.
5. For the fixing of VELUX EKY axillary rafter in a roof with insulation above rafters the trimmer must be doubled.
6. If a trimmer is necessary, a safe distance of 10cm according detail is to be kept.
7. The vapor barrier collar is to be fixed in the window rebate according VELUX installation instructions.
8. The roof vapor barrier and the VELUX vapor barrier BBX are to be connected properly along the whole perimeter, for example with taped joints (VELUX BBX tape) and a fixing batten.
9. Rafter.
10. Rafter doubling.
11. Mounting frame.
12. VELUX window.
13. Possible roof pitch for the presented installation type: **15° to 25°**  
These are non-binding installation proposals, VELUX does not provide design and planning services and assumes no warranty in this relation.

WINDOW TYPE	VELUX GPL, 66 pane			
INSTALLATION PRODUCTS	BDX Insulation frame with underfelt collar, water drainage gutter and BBX vapour barrier collar			
FLASHING	EDL flashing for use with slates up to 1.6cm (2 x 0.8cm) thickness			
INTERIOR LINING	VELUX inner lining LSC for roof thickness 40cm			
ROOF CONSTRUCTION	25° Rafter roof or purlin roof, insulation over rafters with roof underlay, vapour barrier inside, inner sheathing and interior lining			
ROOF COVERING	Extensive vegetation			
FORMAT DIN A3	M 1: 10/1:5	19.08.2018	Sheet 2 of 2	Detail Nr. 244ENG