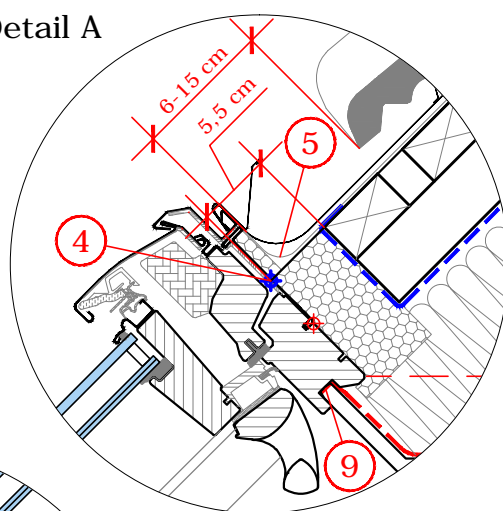
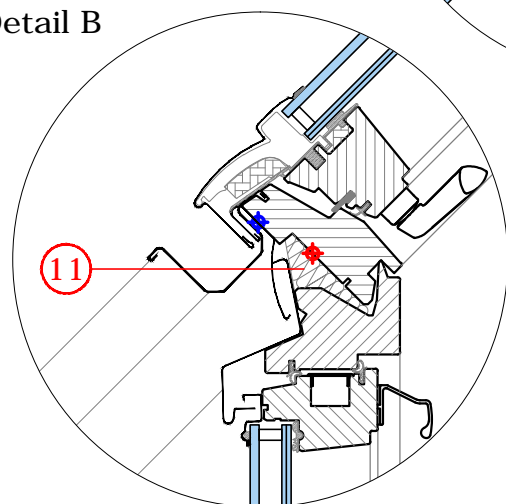


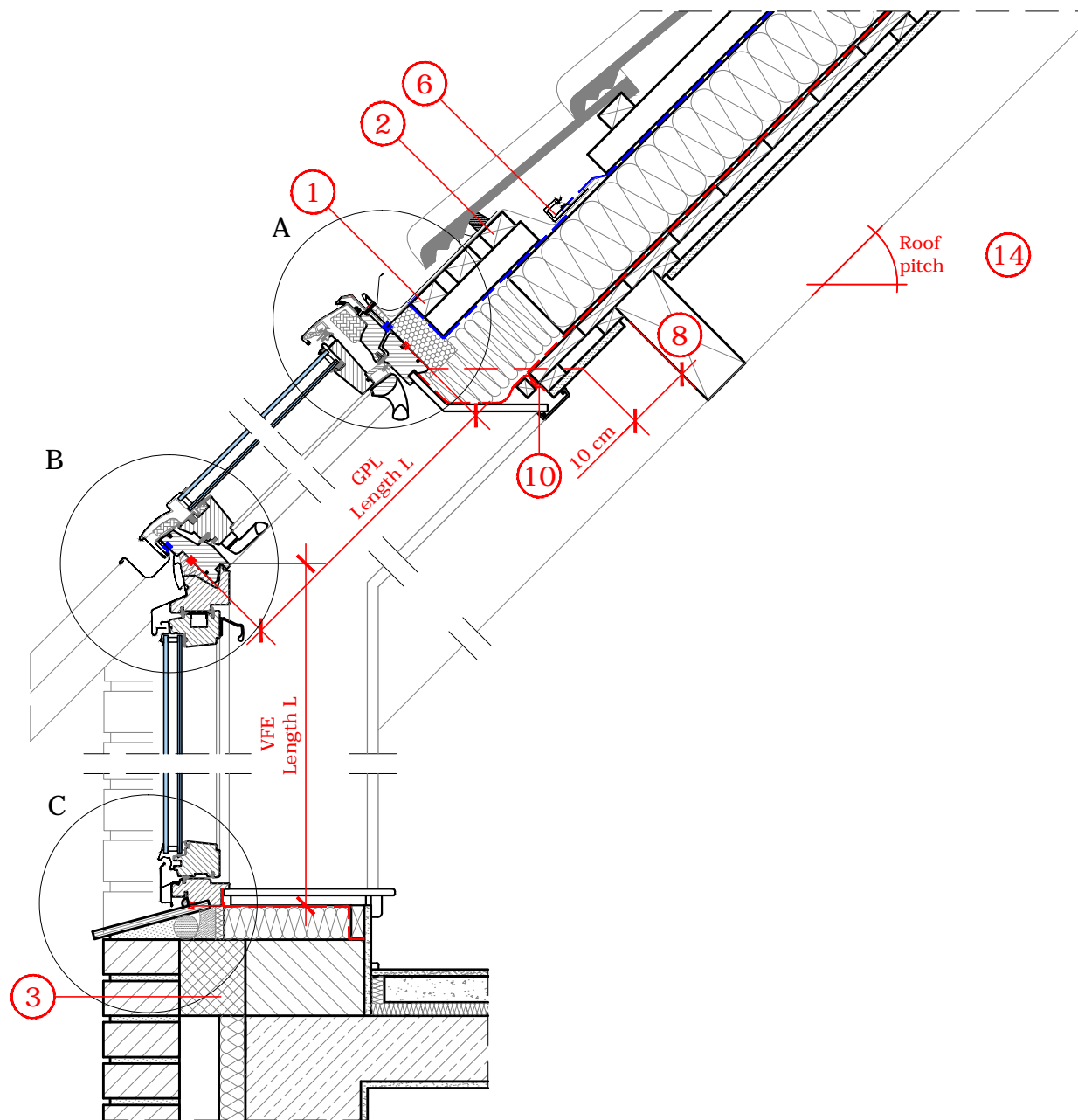
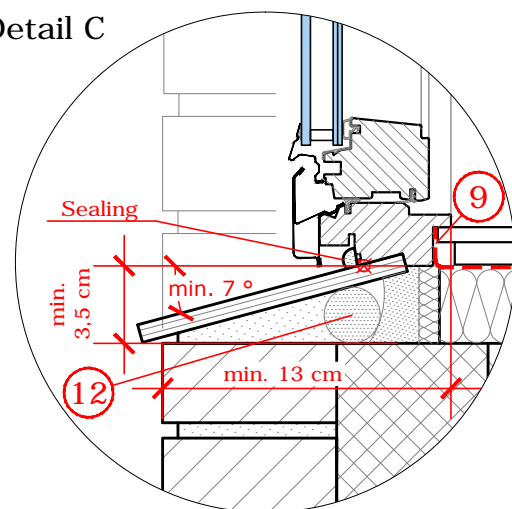
Detail A



Detail B



Detail C



GPL-VFE Section A - A

Windows sizes, outer dimensions in cm

GPL_60	B x L
MK04	78 x 98
MK06	78 x 118
MK08	78 x 140
MK10	78 x 160
PK06	94 x 118
PK08	94 x 140
PK10	94 x 160
SK06	114 x 118
SK08	114 x 140
SK10	114 x 160
UK04	134 x 98
UK08	134 x 140
VFE_60	B x L
MK31	78 x 60
MK35	78 x 95
PK31	94 x 60
PK35	94 x 95
SK31	114 x 60
SK35	114 x 95
UK31	134 x 60
UK35	134 x 95

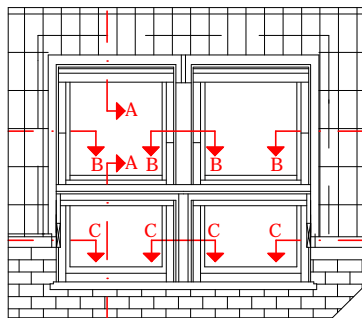
1. Mounting batten for window and flashing support.
2. Auxiliary batten for support of the flashing top part
3. Compression-proof insulation under and sidewise the VFE.
4. Recessed installation: The installation is done 4cm deeper in the roof than by the standard installation. During assembly, the mounting brackets are fastened to the side of the frame at the height of the blue line. At the spots where the angle is a counter batten is to be added. To ensure sufficient bearing surface for the angles, the maximum distance to the outer edge of the frame must be observed (2-3 cm).
5. After mounting the insulation frame and the window attach the enclosed underfelt collar.

6. The underfelt collar and the water drainage gutter are to be pressed under the notched roof felt underlay.
7. Adjust the side parts of the underfelt collar when installing several windows in a combination.
8. If replacement is necessary, maintain a safety distance of 10 cm as per drawing.
9. The vapor barrier collar is to be fixed in the window rebate according VELUX installation instructions.
10. The roof vapor barrier and the VELUX vapor barrier BBX are to be connected properly along the whole perimeter, for example with taped joints (VELUX BBX tape) and a fixing batten
11. Combinations with VFE are possible to install only without the BDX-bottom part. The BDX-side parts

12. Connection to be done according "(RAL) Guideline for installation of windows and external pedestrian doors (Montageleitfaden)"
13. When installing VELUX LSC inner lining, the minimum clearance of 3.5cm between visible batten and outer edge of window frame must be kept!
14. Possible roof pitch for the presented installation type: from 20° to 55°.

These are non-binding installation proposals, VELUX does not provide design and planning services and assumes no warranty in this relation.

Window type	VELUX GPL with vertical element VFE "wall", Glazing 60			
Installation products	BDX Insulation frame with underfelt collar, water drainage gutter and BBX vapour barrier collar for a GPL windows			
Flashing	EFJ flashing for recessed installation on blue level, for flat or profiled roofing material 15mm to 90mm in profile			
Interior lining	VELUX Interior lining 2 x LSB for roof thickness of 300cm and 2 x LVI supplementary lining for a vertical installations			
Roof construction	45° Rafter roof or purlin roof, insulation over rafters with roof underlay, vapour barrier inside, inner sheathing and interior lining			
Roof covering	Tiles			
Format DIN A3	M 1:10/1:5	25.07.2018	Sheet 1 of 2	Detail Nr. 272

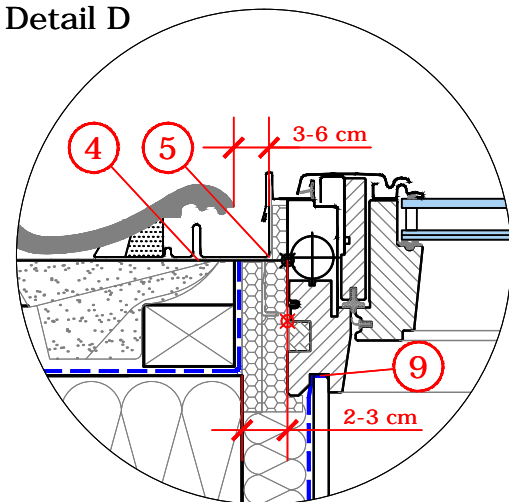


Windows sizes, outer dimensions in cm

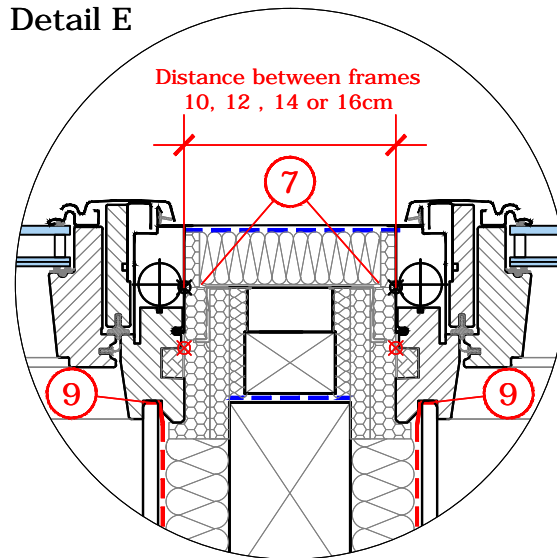
GPL_60	B x L
MK04	78 x 98
MK06	78 x 118
MK08	78 x 140
MK10	78 x 160
PK06	94 x 118
PK08	94 x 140
PK10	94 x 160
SK06	114 x 118
SK08	114 x 140
SK10	114 x 160
UK04	134 x 98
UK08	134 x 140

VFE_60	B x L
MK31	78 x 60
MK35	78 x 95
PK31	94 x 60
PK35	94 x 95
SK31	114 x 60
SK35	114 x 95
UK31	134 x 60
UK35	134 x 95

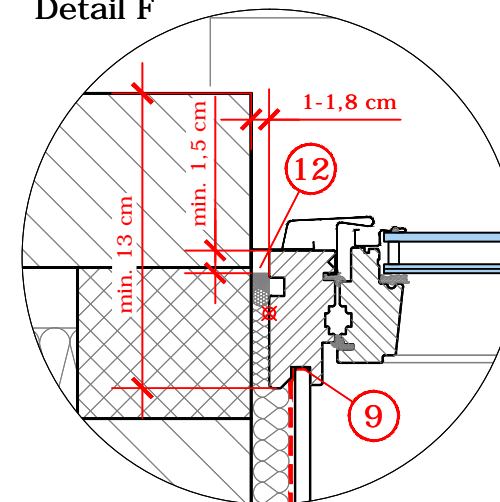
Detail D



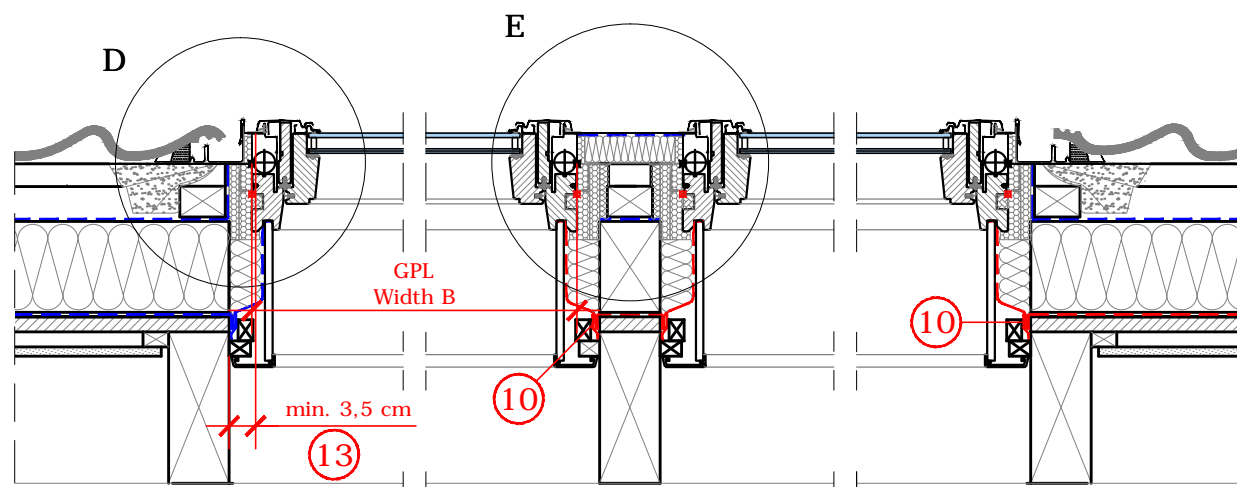
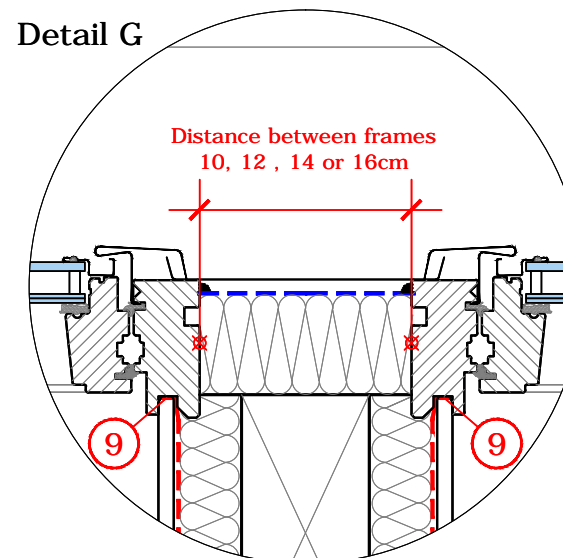
Detail E



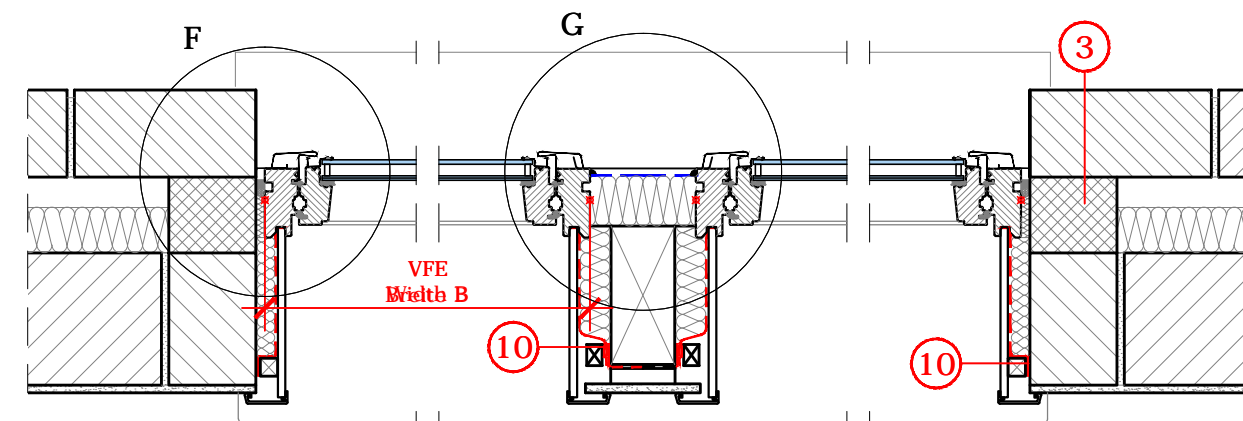
Detail F



Detail G



GPL Section B - B



VFE Section C - C

1. Mounting batten for window and flashing support.
2. Auxiliary batten for support of the flashing top part
3. Compression-proof insulation under and sidewise the VFE.
4. Recessed installation: The installation is done 4cm deeper in the roof than by the standard installation. During assembly, the mounting brackets are fastened to the side of the frame at the height of the blue line. At the spots where the angle is a counter batten is to be added. To ensure sufficient bearing surface for the angles, the maximum distance to the outer edge of the frame must be observed (2-3 cm).
5. After mounting the insulation frame and the window attach the enclosed underfelt collar.
6. The underfelt collar and the water drainage gutter are to be pressed under the notched roof felt underlay.
7. Adjust the side parts of the underfelt collar when installing several windows in a combination.
8. If replacement is necessary, maintain a safety distance of 10 cm as per drawing.
9. The vapor barrier collar is to be fixed in the window rebate according VELUX installation instructions.
10. The roof vapor barrier and the VELUX vapor barrier BBX are to be connected properly along the whole perimeter, for example with taped joints (VELUX BBX tape) and a fixing batten
11. Combinations with VFE are possible to install only without the BDX-bottom part. The BDX-side parts must be adjusted accordingly. Thermal insulation for the transition space between vertical windows is to be provided on site (non-VELUX product)
12. Connection to be done according "(RAL) Guideline for installation of windows and external pedestrian doors (Montageleitfaden)"
13. When installing VELUX LSC inner lining, the minimum clearance of 3.5cm between visible batten and outer edge of window frame must be kept!
14. Possible roof pitch for the presented installation type: from 20° to 55°.

These are non-binding installation proposals, VELUX does not provide design and planning services and assumes no warranty in this relation.

Window type	VELUX GPL with vertical element VFE "wall", Glazing 60			
Installation products	BDX Insulation frame with underfelt collar, water drainage gutter and BBX vapour barrier collar for a GPL windows			
Flashing	EFJ flashing for recessed installation on blue level, for flat or profiled roofing material 15mm to 90mm in profile			
Interior lining	VELUX Interior lining 2 x LSB for roof thickness of 300cm and 2 x LVI supplementary lining for a vertical installations			
Roof construction	45° Rafter roof or purlin roof, insulation over rafters with roof underlay, vapour barrier inside, inner sheathing and interior lining			
Roof covering	Tiles			
Format DIN A3	M 1:10/1:5	25.07.2018	Sheet 2 of 2	Detail Nr. 272